

Now it's fourth year!
Japan's biggest drone expo & conference

Japan Drone

— Expo for Commercial UAS Market —

2019 | 4th



Exhibit Information

Show Profile

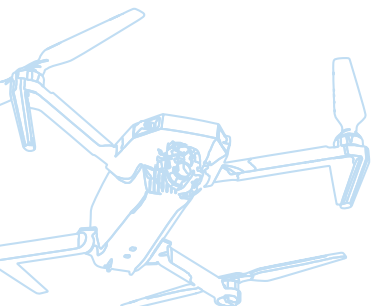
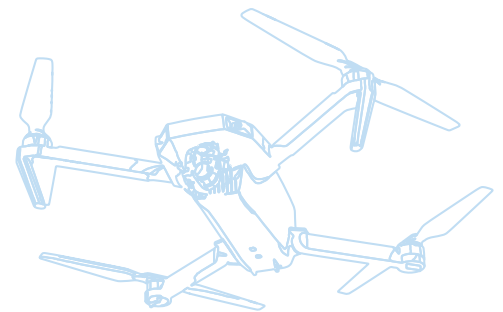
- Name : Japan Drone 2019 | 4th - Expo for Commercial UAS Market-
- Dates : March 14, Thursday to 16, Saturday 2019
 - [Conference] March 14-15
 - [Exhibition] March 14-16
 - [Flight Showcase] March 14-16
- Venue : Makuhari Messe (Chiba, Japan)
- Organizer : Japan UAS Industry Development Association (JUIDA)
- Co-organizer: Congress Corporation and Space Media Japan Co., Ltd.

Exhibit Category

- Unmanned Aircraft Systems and platforms
Cameras, Imaging & Vision Systems / Materials & Manufacturing / Navigation & Guidance Systems / Propulsion & Power / Development Services & Facilities / Electronics, Subsystems and Components / Simulation & Training / Software / Data & Communications / Ground Control Systems and Equipment / Hydraulic & Pneumatic Systems / Integration Services / Robotics / System & Mechanical Components
- Services using Unmanned Aircraft Systems
Aerial Photography/ Movies / Facilities Inspection / Security Research/ Investigation / Distribution / Other service
- Other Services related to the drone market
Insurance / Consulting / Flight Test Field, etc.

Target Attendee Buyers

- Agriculture
- Security
- Construction and Building Inspection
- Motion Pictures and Cinematography
- Climate Monitoring
- Newsgathering and Reporting
- Surveying and Terrain Mapping
- Search and Rescue
- Package Deliveries
- Advertising
- And...more



Japan Drone 2018 Exhibitors (as of March 10, 2018)

- [Japan]
- Ace-1
- AEGIS Technologies
- AeroG Lab.
- Aeronext
- Amana Drone School
- AQUA COSMOS
- Arrow 7
- Asia Air Survey
- BIGAL
- Blue Innovation
- BODUK
- Brother Industries
- BrotherSales
- Congress Global Communications
- D Academy Chubu Shizuoka (Drone Tech Shizuoka)
- D Academy Chugodku (Shiaishi Construction)
- D Academy Chugoku Shimane (Nagata)
- D Academy Hokkaido Sappori (North Japan Construction Survey)
- D Academy Hokuriku Kanazawa (Elder System Consultants)
- D Academy Kanto Gunma (Tone Numata Techno Academy)
- D Academy Kanto Nagano (Komiya Doboku)
- D Academy Kanto Saitama (Jun techno service)
- D Academy Kanto Tokyo (Three eye bird)
- D Academy Kinki Osaka (Miraizu)
- D Academy Kinki Wakayama (Miraizu)
- D Academy Kyusyu Fukuoka (Hot Proceed)
- D Academy Okinawa Naha (MIKATA)
- D Academy Shikoku (Yano Shoten)
- D Academy Tohoku (Three eye bird)
- Dai Nippon Printing
- DJI JAPAN
- DoriRobo
- DRONE ACADEMY ALLIANCE
- DRONE BASE
- Drone College
- Drone IP Lab
- Drone Mama
- DRONE MEDIA
- Drone Pictures and Creators Association (DPCA)
- Drone Woman Employment Promotion Association
- ENRERGEN JAPAN
- EAMS LAB
- EAMS ROBOTICS
- FeliCa Pocket Marketing
- FLIGHTS
- Fujitsu
- Fujinokuni SKY Innovation
- Fukaden
- Fukushima Prefecture
- FUTABA
- Global Information
- GOKO BUTSURYU
- Gunma Internet
- Hamamatsu Photonics
- Hitachi
- Hitachi High-Tech Solutions
- Hitachi Systems
- Hito-Robo
- HOPEC
- Hummingbird
- ImageONE
- Impress
- INDUSTRY NETWORK
- Iwano Laboratories
- Iwate Prefectural University
- Japan Architectural Drone Association (JADA)
- Japan Aviation Academy
- JAPAN CIRCUIT
- Japan Drone Academy
- Japan Drone Consortium
- Japan Multimedia Equipment
- JAPAN RADIO CONTROL MODELINDUSTRIAL ASSOCIATION (JRM)
- Japan UAS Industrial Development Association (JUIDA)
- Japan UAV Association (JUAV)
- JAPAN UTM Consortium (JUTM)
- Japan Weather Association
- JEPICO
- Jitsuta
- Kansai Information Institute
- Kansai Telecasting
- Kansai University
- Kansai University High Altitude Surveying Technology Development Consortium
- Keibi Hoshio Shimibun Shinsha
- Kokusai Kogyo
- Kokyo
- KOYO PLANNING & SURVEYING
- KOYOU Innotex
- Kyushu University Graduate School
- Matsuya R&D
- Magellan Systems Japan
- Maxell
- MIRAIT Technologies
- Mirukuru
- MITSUBISHI ELECTRIC ENGINEERING
- MORISAWA
- NAIGAI PUBLISHING
- Nanten Drone Park
- National Institute of Information and Communications Technology (NICT)
- NEC
- NDMC
- NIKKAN KOGYO SHIMBU
- Nikon Trimble
- NIPPON KAIYO
- Nippon Robot
- NIPPON TELEGRAPH AND TELEPHONE WEST
- NIPPON MEDICAL SCHOOL CHIBA HOKUSOH HOSPITAL
- NTT COMWARE
- NTT DATA
- NTT DOCOMO
- NTT GEOSPACE
- Ohmsha
- Oita Drone Association (Oita Industrial Research Institute)
- Omotenashi ICT Association
- ORSO
- Osaka University of Economics
- Parade Group
- PASCO
- Panasonic System Solutions Japan
- Pronews
- QualitySoft
- Rakuten
- Rakuten AirMap
- RIEGL JAPAN
- Salesian Polytechnic
- Secure Drone Consortium
- Shizuoka Institute of Science and Technology
- Shonan Institute of Technology
- SkyLink Japan
- Softbank
- SOHGA
- Soliton Systems
- Swellpro Japan
- TANAKA DENKI
- TECHNO SYSTEM
- Terra Drone
- TOKYO CITY UNIVERSITY
- Topcon Sokkia Positioning Japan
- Trust
- U Craft
- Weather News
- ZENRIN
- [Australia]
- World of Drone Congress
- [Belgium]
- Unify NV
- [China]
- Beijing TT Aviation Technology
- Shenzhen UAV Industry Association
- xoar aerotech
- [France]
- Atechsys
- [Israel]
- Embassy of Israel
- Magna BSP
- Netline
- SESP
- SkyHopper
- [Taiwan]
- Metal Industries Research & Development Centre (MIRDC)
- TAIWAN UAS DEVELOPMENT ASSOCIATION (TAWJAS)
- [USA]
- General Atomics Global
- Green Valley International
- Trimble - Integrated Technologies
- VUFINE158 Companies and Organizations

Japan Drone Conference Program

A forum focused on the current Drone trends in Japan and around the world, the latest Drone technology and debate on a wide range of issues of interest in the UAS market, including flying guidelines, security rules, etc.

● Keynote Sessions/ Special Sessions

Several sessions by the industry visionalists from Japan, North America, Europe and Asia

● Drone Innovation Seminars (Paid Conference Sessions)

Two day conference program (10 sessions) features Drone technology and Drone business opportunities, etc.

Con-current Events

◆ Best of Japan Drone Award

This is a special award program for exhibitors. You can take advantage of this program for your promotion as well as the enhancement of your product and services. There will be 5-6 categories.

◆ Flight Demonstration Showcase

We will have a special flying exhibit are for your product demonstration. Each company will enjoy 30 minutes demonstration for three days.

◆ Drone Video Festival

It will have a film/video contest captured by drones presented by Digital Hollywood University - Robotics Academy and JUIDA (Japan UAS Industrial Development Association)

Exhibit Information

■ Exhibit Application

- 1 Fill in and sign the application* form
- 2 Send the form to the show secretariat office.
- 3 The bill will be sent to you. We only take Japanese Yen.

■ Booth Price and Fees

- Standard Booth (space only)
3m x 3m (9m2) \ 420,000 per 1booth/plus consumption tax
- Packaged Booth (space + shell scheme booth)
3m x 3m (9m2) \ 540,000 per 1booth/plus consumption tax

■ FOR MORE INFORMATION

Japan Drone 2018 Secretariat Office
Tel : +81-3-3512-5672 Fax : +81-3-3512-5680
E-mail : japan-drone@smj.co.jp
Web : www.japan-drone.com/en/

■ Early Bird Application Benefits

If you officially submit the application form before September 30, 2018, you will get the following benefits (value of JPY 80,000 or more). Please take advantage of this opportunity.

- ◆ 2 invitation tickets for networking reception
- ◆ 2day Conference Tickets of Drone Innovation Seminar for 2 persons

